

# APP200AC Series

Dual Channel Single Output Voltage



## Features and Applications:

- Two (2) Independent Class II DC Outputs
- Highly Efficient Switching-Mode Technology
- Active PFC (Power Factor Corrected)
- Built for Outdoor Wet/Damp or Indoor Dry Applications
- Silicone encapsulated for ingress protection
- Built-in EMI Filter for Low Noise
- Rugged & Splash Proof Aluminum Case for Ingress Protection
- Over-Current and Over-Voltage Protection with Auto-Recovery
- High Reliability

All specifications are typical at nominal input, full load at 25 °C unless otherwise stated.

## Electrical Specs

### INPUT

Input Voltage Range	90 ~ 264VAC
Rating Input	100 ~ 240VAC
Frequency	47 ~ 63 Hz
Input Current	Max. 3.0A @ 90VAC / 60Hz
	Full load
Efficiency	80% typical


### OUTPUT

Maximum Power	200W continuous
Total Regulation	± 3%
Short Protection	Auto-restart mode
Current Limit	110% @ max. load
OTP Protection	105°C ± 5°C @ transformer
Hold-up Time	> 25ms @ 115VAC, full load
Start-up Time	1 sec. Typical

## General

LED	Output state(Light=Power on)
Neon Lamp	AC power state
Isolation Voltage	3000V AC
Weight	3Kg (6.61 lbs.) max
Warranty Info	3 year
MTBF	100,000 hours min.

## Environmental

Operating Temp	-20°C to 60°C full load
	+70°C at 68% load
Storage Temp	-40°C to 85°C
Relative Humidity	5% to 95% non-condensing
Vibration	5G, 5Hz ~ 50Hz
	@ three orthogonal axes
Shock	40G peak
RoHS	Compliant 

## Safety

cUL UL60950-1: 2003, First Edition  
UL1310: Fifth Edition, Dated may 3, 2005  
UL50: 10th Edition  
UL879: Eighth Edition, 2007  
TUV EN60950-1: 2001 +A11



## EMC

Conducted Emissions CISPR-22 Class B  
Radiated Emissions FCC PART 15 Class B

**Amperor Inc.**  
11320 Neeshaw Dr.  
Houston, TX 77065  
1-281-807-3320  
<http://www.amperor.com>

**Amperor Europe Ltd.**  
30 Ballot Road  
Irvine KA12 OHW Scotland U.K  
44-(0)-1294-272400

**Intertek Corp, an Amperor Company**  
4th, Fl, Far East World Centre  
Hsin Tai Wu Road, Hsin-Chih, Taipei, Taiwan R.O.C  
886-2-2698-2239

# APP200AC Series

Dual Channel Single Output Voltage

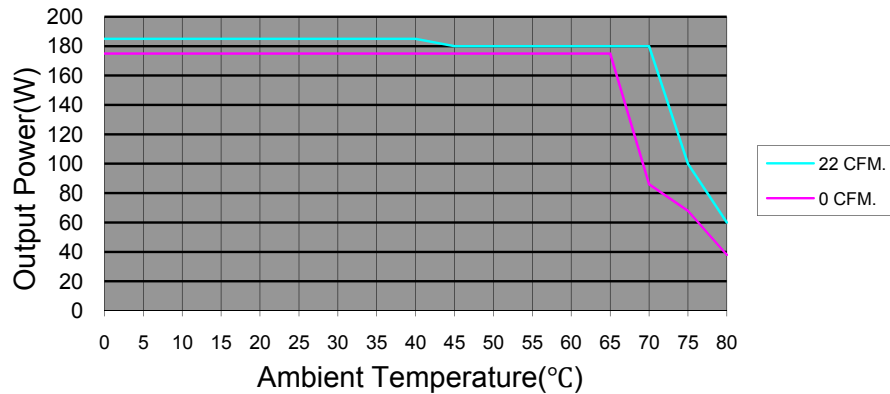


## Order Information

Model name	Output 1		Output 2		Line regulation	Load regulation	Over-voltage protection	Max. Ripple/Noise
	Voltage	Max. load	Voltage	Max. load				
APP200AC-12	12V	4.5A	12V	4.5A	± 3%	± 3%	< 15.75V	100mV PP
APP200AC-15	15V	4.5A	15V	4.5A	± 3%	± 3%	< 18.90V	100mV PP
APP200AC-24	24V	3.72A	24V	3.72A	± 3%	± 3%	< 29.40V	100mV PP
APP200AC-30	30V	2.95A	30V	2.95A	± 3%	± 3%	< 35.70V	100mV PP
APP200AC-48	48V	1.83A	48V	1.83A	± 3%	± 3%	< 56.70V	100mV PP

Note: APP200AC-48 used for indoor and european applications.

## De-Rating Curve



**Amperor Inc.**  
11320 Neeshaw Dr.  
Houston, TX 77065  
1-281-807-3320  
<http://www.amperor.com>

**Amperor Europe Ltd.**  
30 Ballot Road  
Irvine KA12 OHW Scotland U.K  
44-(0)-1294-272400

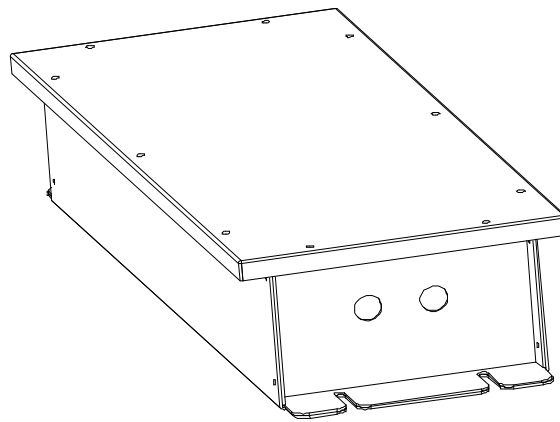
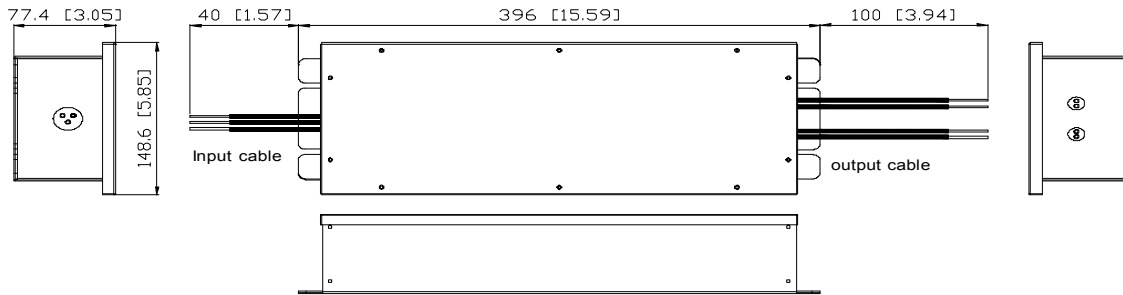
**Intertek Corp, an Amperor Company**  
4th, Fl, Far East World Centre  
Hsin Tai Wu Road, Hsin-Chih, Taipei, Taiwan R.O.C  
886-2-2698-2239

# APP200AC Series

Dual Channel Single Output Voltage



## Mechanical Information



Note: All dimensions in mm(inches)

DataSheet @ Amperor, Inc. @ 2008

The information and specifications contained in this datasheet are believed to be accurate at time of publication. Specifications are subject to change without notice.