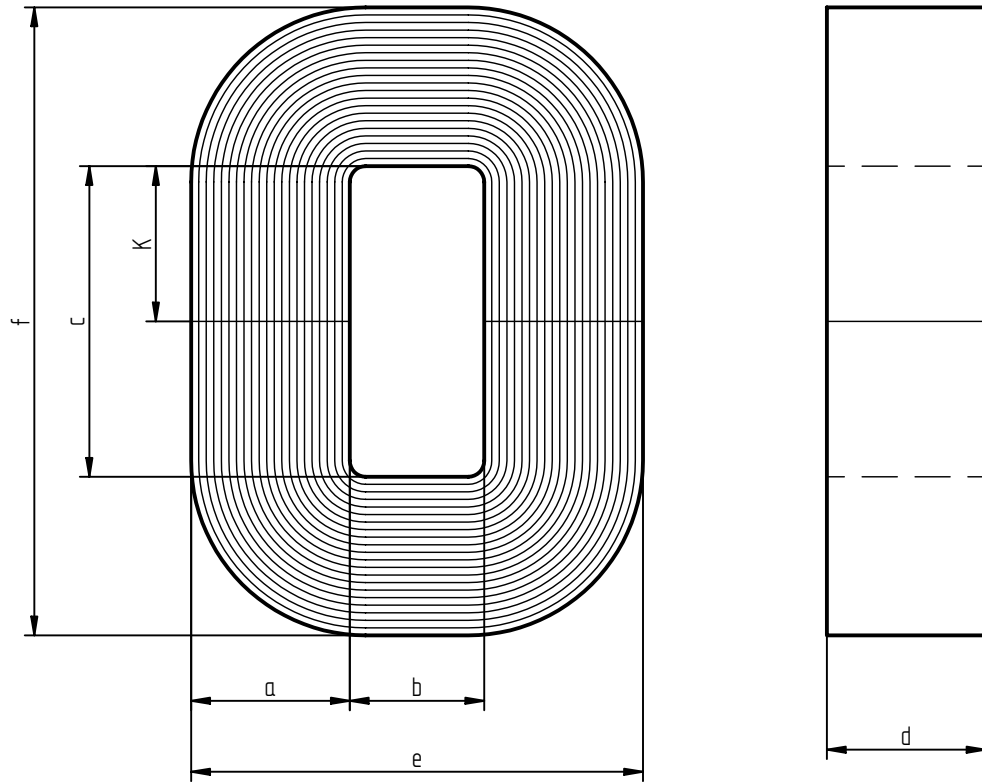


AMCC - 3100A

NOTES:-

- 1.) CUSTOMER TO MARK THE DIMENSIONS/CHARACTERISTICS THAT ARE CRITICAL TO FIT/FORM AND FUNCTION ON THE DRAWING.
- 2.) NUMBER OF COMPONENTS TO BE SUBMITTED FOR PILOT PRODUCTION LOT=\_\_\_\_\_PIECES.
- 3.) UNLESS OTHERWISE SPECIFIED, STANDARD PACKAGING USED BY HITACHI METGLAS WILL BE PROVIDED.
- 4.) ALL PRODUCTION RECORDS AND DATA PERTAINING TO THIS PRODUCT WILL BE RETAINED FOR A PERIOD OF 1 YEAR FROM THE DATE OF SHIPMENT.



### PHYSICAL SPECIFICATIONS

|                    |                      |                  |
|--------------------|----------------------|------------------|
| Core Build         | (a) mm               | 30.00±1.00       |
| Window Width       | (b) mm               | 25.40+1.00/-0.00 |
| Window Length      | (c) mm               | 58.72+2.50/-0.00 |
| Core Height        | (d) mm               | 30.00+0.50/-0.00 |
| Core Width         | (e) mm               | 85.40±1.50       |
| Core Length        | (f) mm               | 118.72±2.00      |
| Cut Distance       | (K) mm               | 29.36±1.65       |
| Mean Magnetic Path | (lm) cm              | 29.52            |
| Net Area           | (Ac) cm <sup>2</sup> | 7.38             |
| Window Area        | (Wa) cm <sup>2</sup> | 14.91            |
| Area Product       | (Ap) cm <sup>4</sup> | 110.00           |
| Weight of Core     | g                    | 1564(Nom.)       |

### ELECTRICAL SPECIFICATIONS

Core Loss @ 16kHz, 0.037 T ≤ 1.38W/Kg.

NOTE :-

1. ALL MEASUREMENTS ARE DONE AT ROOM TEMPERATURE.
2. WEIGHT INCLUDES 2% EPOXY WEIGHT.
3. CONTINUOUS OPERATING TEMPERATURE : 155°C

CORE MATERIAL: MEGLAS<sup>®</sup> ALLOY 2605SA1

lm = mean magnetic path length

Ac = net cross-sectional area

Wa = core window area

NOTE :-  
THIS DRAWING, THE PROPERTY OF HITACHI METGLAS INDIA PVT. LTD, IS FURNISHED SUBJECT TO RETURN ON DEMAND AND THE CONDITION THAT THE INFORMATION AND TECHNOLOGY EMBODIED HEREIN SHALL NOT BE DISCLOSED OR USED AND THE DRAWING SHALL NOT BE REPRODUCED OR COPIED IN WHOLE OR IN PART EXCEPT AS PREVIOUSLY AUTHORIZED IN WRITING. ANY PERSON WHO MAY RECEIVE OR OBSERVE THIS DESIGN WILL BE HELD STRICTLY LIABLE FOR ANY VIOLATION WHETHER WILLFUL OR NEGLIGENT.

| TOLERANCES UNLESS OTHERWISE SPECIFIED | NO. | REVISION   | BY | APPR. | DATE     | DIMENSIONS             | MM          | DESCRIPTION       | SHEET NO. | DRAWING NO. | REV. NO. |      |          |
|---------------------------------------|-----|--|----|-------|----------|------------------------|-------------|-------------------|-----------|-------------|----------|------|----------|
|                                       | 1.) | DRAWING FORMAT CHANGED.                          | RG | RK    | 24/05/06 | SCALE                  | N.T.S       | C-CORE DESIGN     | 1 OF 1    | AMCC-3100A  | 2        |      |          |
|                                       | 2.) | PRODUCT & DRAWING FORMAT REVISED (AS PER PCN004) | RG | RK    | 25/09/06 | PROJECTION             | THIRD ANGLE | MATERIAL AS NOTED |           |             |          |      |          |
|                                       |     |  |    |       |          | <b>HITACHI METGLAS</b> |             | SR                | 05/30/02  | SR          | 05/30/02 | SL   | 05/30/02 |
|                                       |     |  |    |       | DRAWN    |                        |             | DATE              | CHECKED   | DATE        | APPROVED | DATE |          |